

auto electrical parts

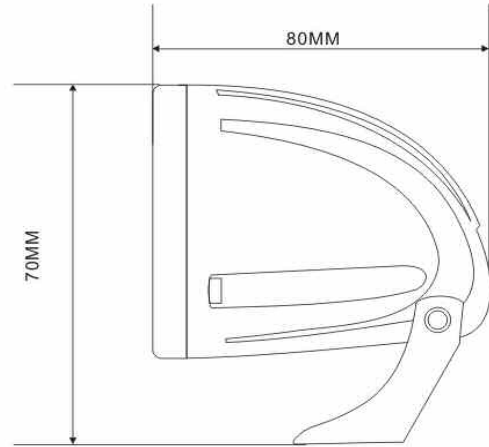
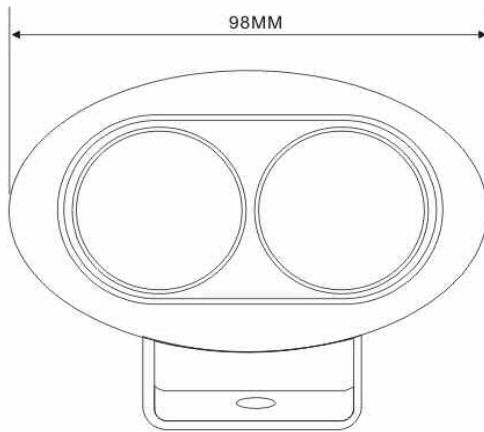
Technical Information Sheet

Part No. 0-420-61

A powerful and compact 2 x 10 watt 10-48 volt CREE LED work lamp. 2000 Lumens. Diecast aluminium housing, supplied with stainless steel bracket. Protected to IP67. l 98 x w 80 x h 70mm.



Technical Drawing (not to scale)



Specification

Type	LED work lamp
Voltage	10-48 volt dc
LED's	2 x 10W (6000K)
Lumens	2000Lm
Housing	Die Cast Alluminium
Lens	Polycarbonate
Degree of protection (IP)	IP67
Operating temperature	-40°C to +60°C
Weight	430g
Lifespan	30,000 Hours Approx.
Dimensions	l 98 x w 80 x h 70mm
Approvals	CE

The information contained in this document is correct to the best of our knowledge at the time of printing. However, specifications may change at any time without notice.